





°C

					°C	

°C

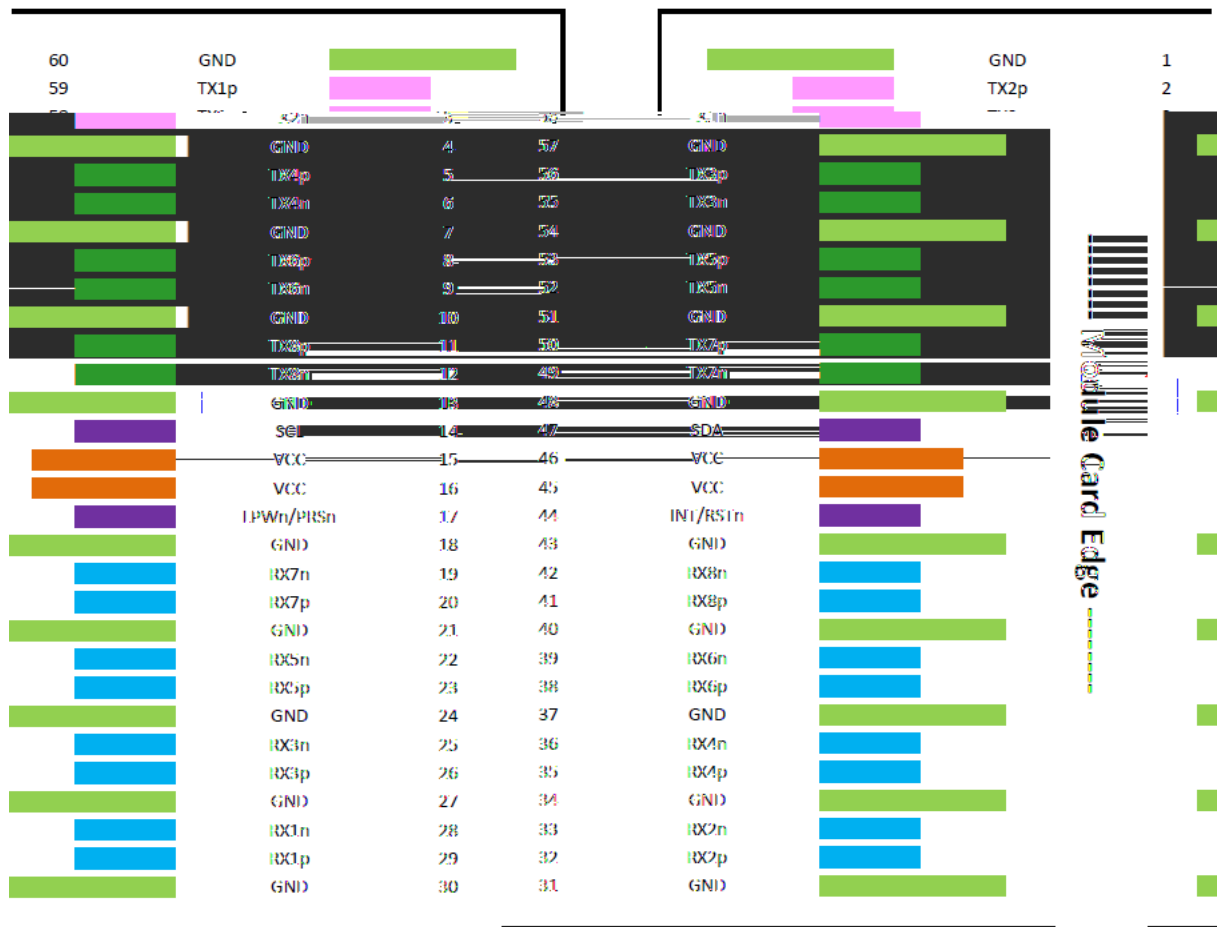
					°C	

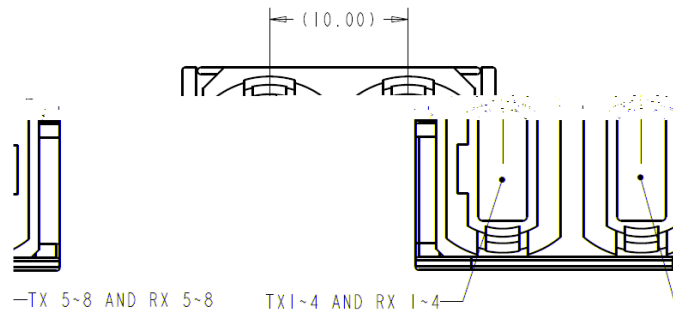




Top Side (viewed from top)

Bottom Side (viewed from bottom)





Data Rate	Factor		Optical	Wavelength	Reach
800G	OSFP	SR8	MPO	850nm	70m